

# Bending

## Manual hydraulic

### ROBULL type E

For precise, manual hydraulic cold bending up to 90°



#### Product profile

##### APPLICATION AREA

Broadly applicable, universal portable hydraulic bending system for plumbing, sanitary and heating installation on construction sites, for apparatus and boiler construction and for industrial use. Also suitable for aligning tubes.

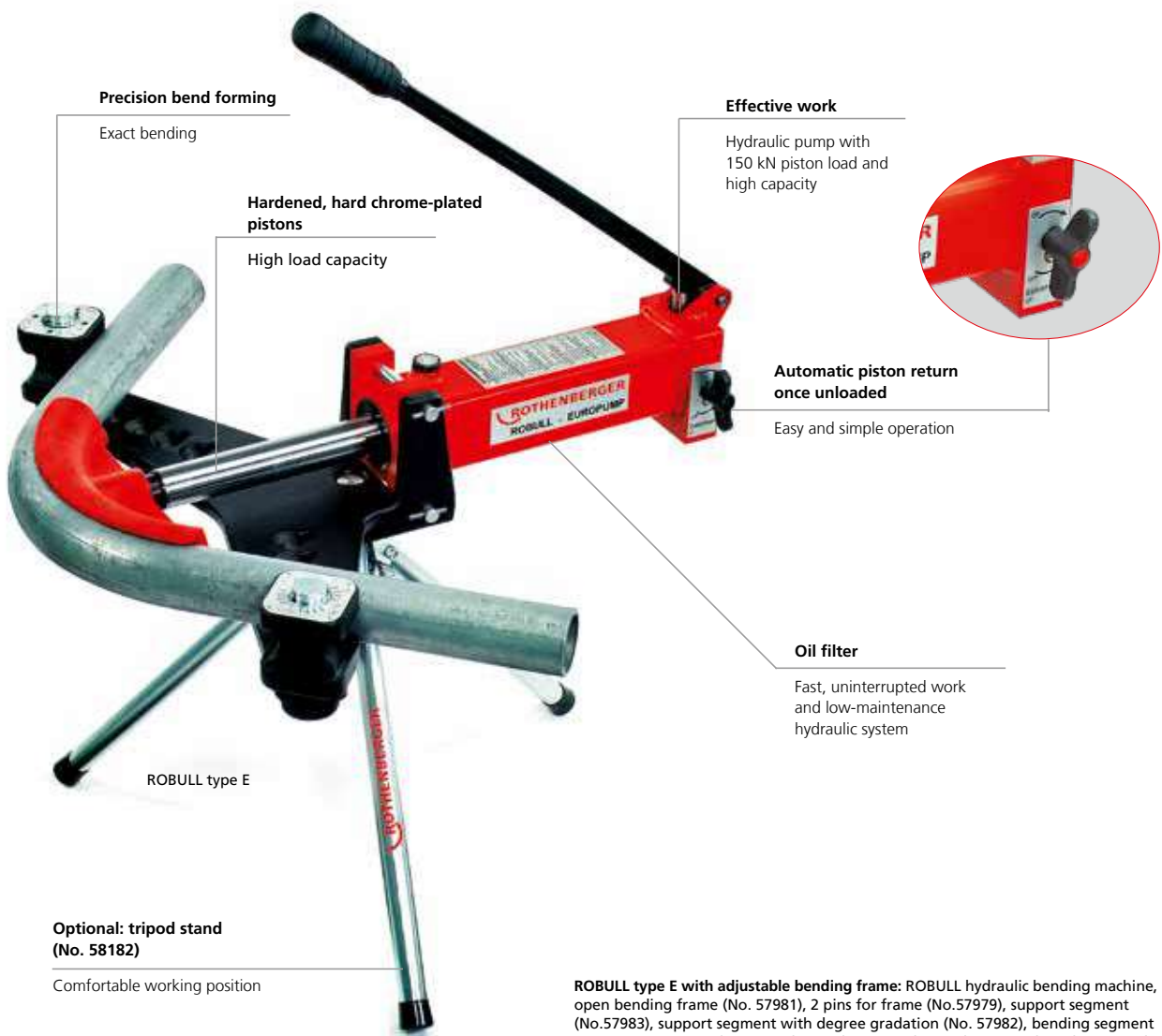
##### ROBULL type E:

For accurate bending up to 90° on pipes made of:

**Carbon steel suitable for welding and thread-cutting:**       $\varnothing$  3/8 - 2"

##### KEY FEATURES

- Precise bending with the angle scale on the support brackets
- Reduces welded joints
- No pre-warming of pipe is required
- No bending forms needed
- Works quicker with the 150 kN piston strength
- Easy and simple operation
- Closed, low-maintenance hydraulic system with a mono-block design and with quick, automatic piston retraction
- Comfortable working position with the tripod stand (opt.)
- With foldable and adjustable bending frame



##### Precision bend forming

Exact bending

##### Hardened, hard chrome-plated pistons

High load capacity

##### Effective work

Hydraulic pump with 150 kN piston load and high capacity

##### Automatic piston return once unloaded

Easy and simple operation

##### Oil filter

Fast, uninterrupted work and low-maintenance hydraulic system

ROBULL type E

**Optional: tripod stand (No. 58182)**

Comfortable working position

**ROBULL type E with adjustable bending frame:** ROBULL hydraulic bending machine, open bending frame (No. 57981), 2 pins for frame (No.57979), support segment (No.57983), support segment with degree gradation (No. 57982), bending segment standard 90° in 3/8" (No. 57985), 1/2" (No. 57986), 3/4" (No. 57987), 1" (No. 57988), 1.1/4" (No. 57989), 1.1/2" (No. 57990), 2" (No. 57991), hydraulic oil 1 l (No. 58185), steel carrying case (No. 58206)

**ROBULL type E with foldable bending frame:** same scope of delivery as the ROBULL type E with adjustable bending frame but with foldable bending frame (No. 58002)

Model	Description	kg	No.
ROBULL type E	with adjustable bending frame and accessories (see above)	59.8	<b>057966X</b>