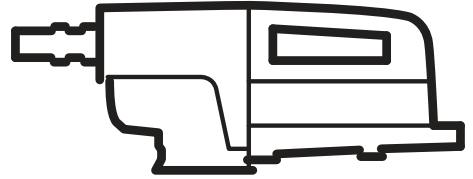




# Husqvarna®

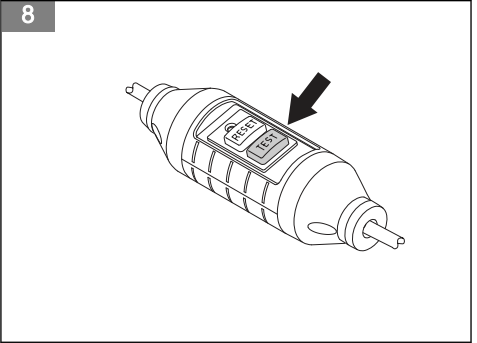
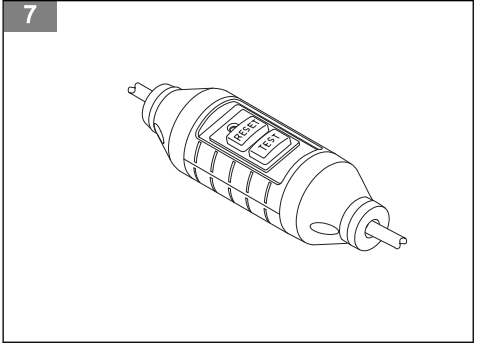
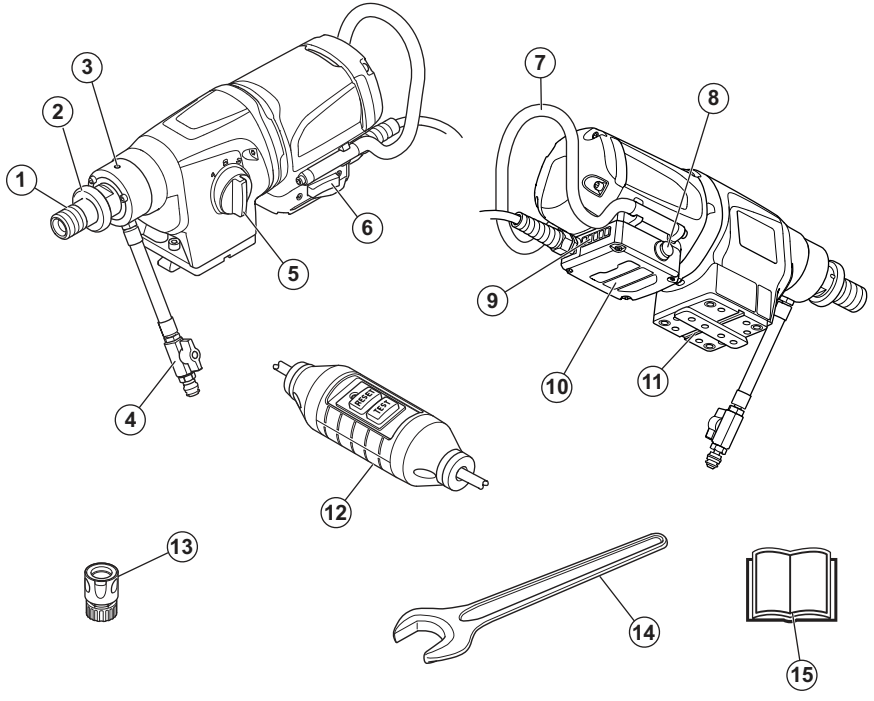


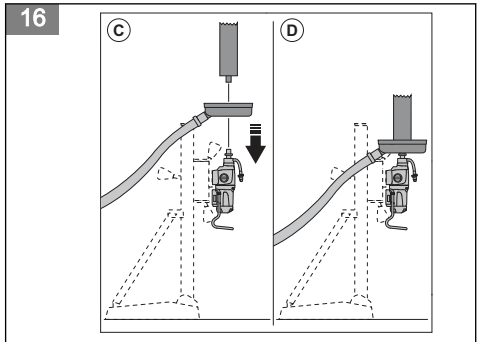
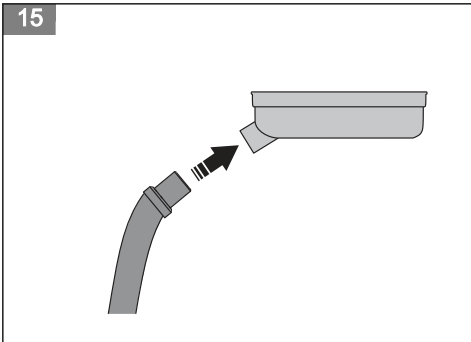
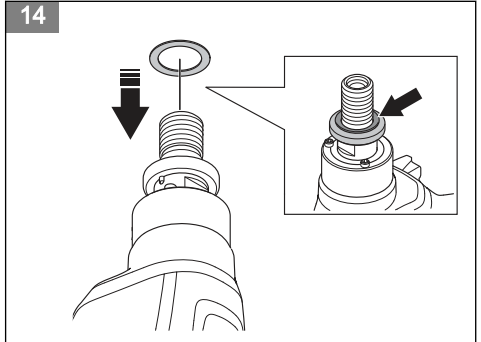
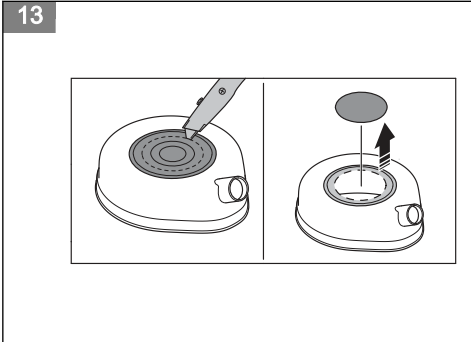
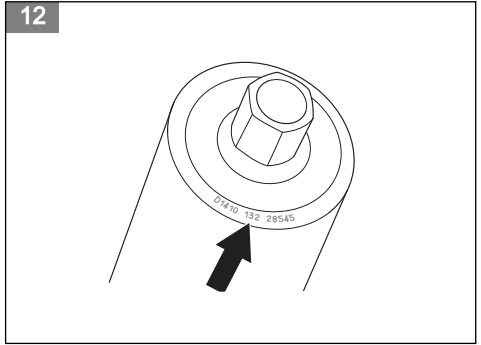
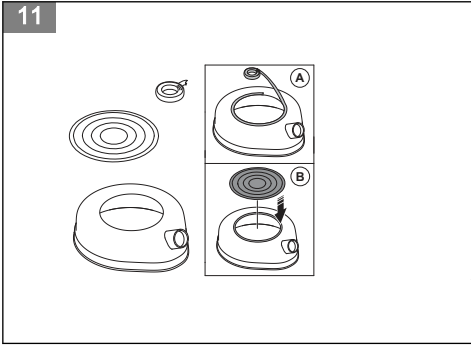
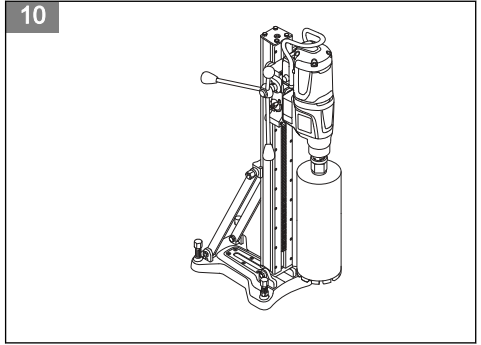
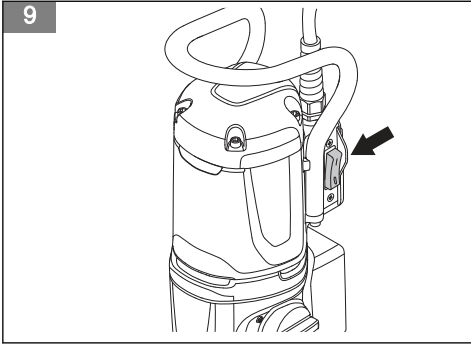
DM400, DM430

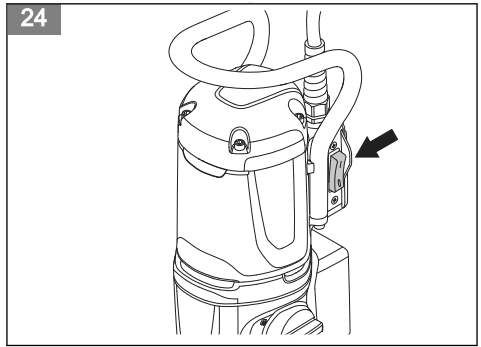
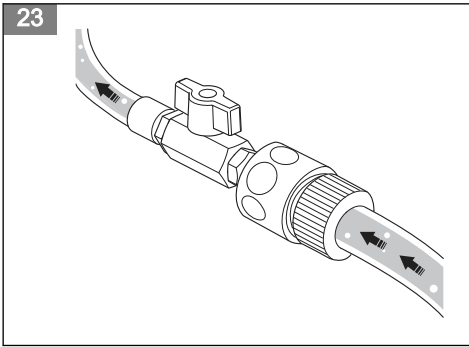
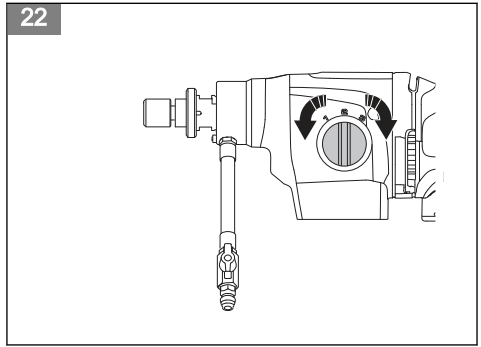
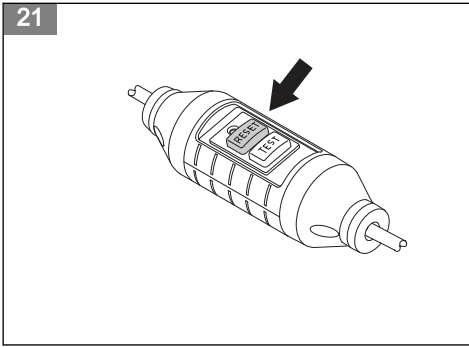
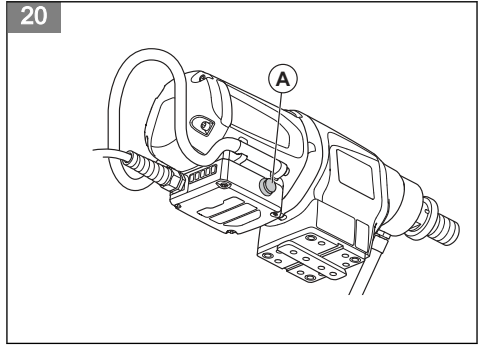
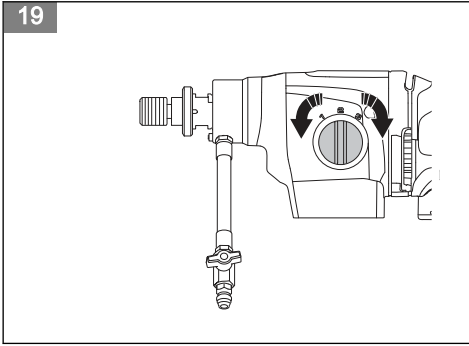
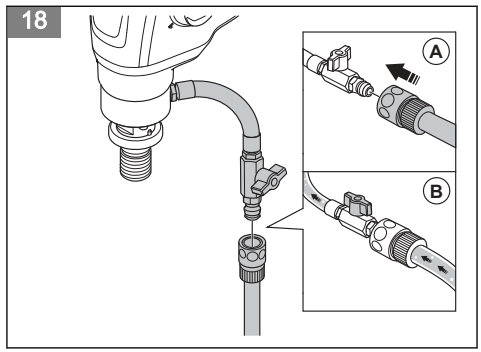
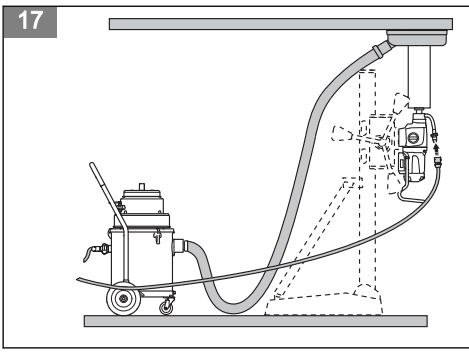
EN Operator's manual  
ES-MX Manual del usuario  
FR-CA Manuel d'utilisation

6-20  
21-38  
39-57

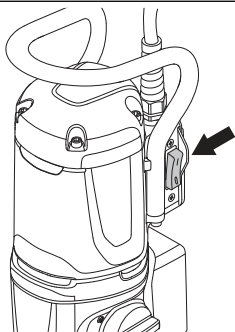
1



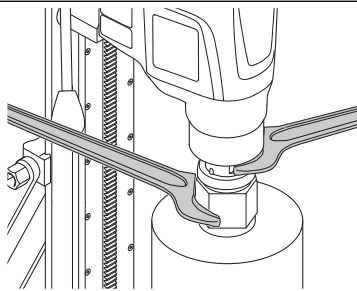




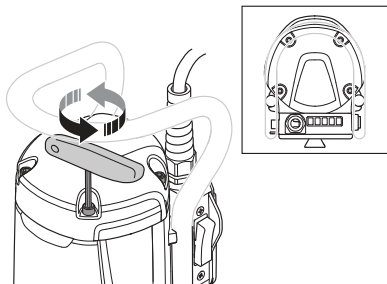
25



26



27



---

# Contents

---

Introduction.....	6	Transportation and storage.....	16
Safety.....	7	Technical data.....	17
Assembly.....	12	Accessories.....	19
Operation.....	12	Service.....	19
Maintenance.....	14	Registered trademarks.....	20
Troubleshooting.....	15		

---

## Introduction

---

### Owner responsibility

---



**WARNING:** Processing of concrete and stone by methods such as cutting, grinding or drilling, especially during dry operation, generates dust that comes from the material being processed, which frequently contains silica. Silica is a basic component of sand, quartz, brick clay, granite and numerous other minerals and rocks. Exposure to excessive amount of such dust can cause:

Respiratory disease (affecting your ability to breathe), including chronic bronchitis, silicosis and pulmonary fibrosis from exposure to silica. These diseases may be fatal;

Skin irritation and rash.

Cancer according to NTP\* and IARC\* \*/ National Toxicology Program, International Agency for Research on Cancer.

Take precautionary steps:

Avoid inhalation of and skin contact with dust, mist and fumes.

Wear and ensure that all bystanders wear appropriate respiratory protection such as dust masks designed to filter out microscopic particles. (See OSHA 29 CFR Part 1926.1153)

To minimize dust emissions, use water to bind the dust, when feasible. If dry operation is necessary, use an appropriate dust extractor.

---

It is the owner's/employer's responsibility that the operator has sufficient knowledge about how to use the product safely. Supervisors and operators must have read and understood the Operator's Manual. They must be aware of:

- The product's safety instructions.
  - The product's range of applications and limitations.
  - How the product is to be used and maintained.
- 

National/Local regulations could restrict the use of this product. Find out what regulations are applicable where you work before you start using the product.

### Product description

This Husqvarna Drill Motor is a transportable diamond core drill to be used with an approved drill stand.

The diamond drill bit is a hollow drill that has diamond segments. Water goes through the ball valve, hose and the diamond drill bit. The water flushes the drilled material out off the slot and decreases the temperature in the drill bit.

This product has Smartstart™. Refer to *To use Smartstart™ on page 13*.

Some models of this product have embedded connectivity. Refer to *Embedded connectivity on page 6*.

### Embedded connectivity

The cloud asset management solution Husqvarna Fleet Services™ gives the fleet manager an overview of all products that are connected via either embedded or aftermarket sensors. The position of the gateway or smartphone can be used to indicate the location of connected products. The sensors record data like runtime, service intervals and more. For more information about the cloud asset management solution Husqvarna Fleet Services™, download the iOS or Android app Husqvarna Fleet Services at <https://apps.apple.com/se/app/husqvarna-fleet-services/id1334672726> or <https://play.google.com/store/apps/details?id=com.husqvarna.hfsmobile&hl=en>.

Some types of this product are connected via the embedded Husqvarna Fleet Services™ sensor that has the Bluetooth Low Energy (BLE) function. For more information regarding how to use it, refer to *To use embedded connectivity on page 12*. For information about the BLE technology radio spectrum, refer to *Embedded connectivity on page 18*. For compliance reservations regarding Husqvarna Fleet Services™, refer to *Compliance reservations on page 7*.

---

## Compliance reservations

**Note:** Changes or modifications made to this equipment not expressly approved by may void the FCC authorization to operate this equipment.

**Note:** This device complies with Part 15 of the FCC Rules and with Industry Canada licence-exempt RSS standard(s).

Operation is subject to the following two conditions:

## Product overview

(Fig. 1)

1. Drill spindle
2. Quick release washer
3. Leakage hole
4. Gardena male coupling with water valve
5. Gear selector
6. On/Off switch
7. Handle
8. Smartstart™
9. LEDs to show power output
10. Electronics box
11. Assembly plate for Husqvarna drill stand
12. PRCD

**Note:** In this manual we use the term PRCD for PRCD and GFCI.

13. Water connector
14. Wrench
15. Operator's manual

## Symbols on the product

(Fig. 2) **WARNING!** This product can be dangerous and cause serious injury or death to the operator or others. Be careful and use the product correctly.

(Fig. 3) Read the operator's manual carefully and make sure that you understand the instructions before you use this product.

- this device may not cause harmful interference
- this device must accept any interference received, including interference that may cause undesired operation

## Intended use

The product is used to drill concrete, rock, asphalt and masonry. All other use is incorrect.

The product is used in industrial operations by operators with experience.

(Fig. 4) Always use approved personal protective equipment. Refer to *Personal protective equipment on page 10*.

(Fig. 5) **Environmental mark.** The product or package of the product is not domestic waste. Recycle it at an approved disposal location for electrical and electronic equipment.

(Fig. 6) Make sure that water cannot leak into the product when you drill in the ceiling. Use an applicable water collector.

**Note:** Other symbols/decals on the product refer to special certification requirements for some markets.

## Product liability

As referred to in the product liability laws, we are not liable for damages that our product causes if:

- the product is incorrectly repaired.
- the product is repaired with parts that are not from the manufacturer or not approved by the manufacturer.
- the product has an accessory that is not from the manufacturer or not approved by the manufacturer.
- the product is not repaired at an approved service center or by an approved authority.

## Safety

### Safety definitions

Warnings, cautions and notes are used to point out specially important parts of the manual.



**WARNING:** Used if there is a risk of injury or death for the operator or bystanders if the instructions in the manual are not obeyed.



**CAUTION:** Used if there is a risk of damage to the product, other materials or the adjacent area if the instructions in the manual are not obeyed.

**Note:** Used to give more information that is necessary in a given situation.

## General power tool safety warnings



**WARNING: Read all safety warnings, instructions, illustrations and specifications provided with this power tool.** Failure to follow all instructions listed below may result in electric shock, fire and/or serious injury.

### Save all warnings and instructions for future reference.

The term "power tool" in the warnings refers to your mains-operated (corded) power tool or battery-operated (cordless) power tool.

## Work area safety

- **Keep work area clean and well lit.** Cluttered or dark areas invite accidents.
- **Do not operate power tools in explosive atmospheres, such as in the presence of flammable liquids, gases or dust.** Power tools create sparks which may ignite the dust or fumes.
- **Keep children and bystanders away while operating a power tool.** Distractions can cause you to lose control.

## Electrical safety

- **Power tool plugs must match the outlet. Never modify the plug in any way. Do not use any adapter plugs with earthed (grounded) power tools.** Unmodified plugs and matching outlets will reduce risk of electric shock.
- **Avoid body contact with earthed or grounded surfaces, such as pipes, radiators, ranges and refrigerators.** There is an increased risk of electric shock if your body is earthed or grounded.
- **Do not expose power tools to rain or wet conditions.** Water entering a power tool will increase the risk of electric shock.
- **Do not abuse the cord. Never use the cord for carrying, pulling or unplugging the power tool. Keep cord away from heat, oil, sharp edges or moving parts.** Damaged or entangled cords increase the risk of electric shock.
- **When operating a power tool outdoors, use an extension cord suitable for outdoor use.** Use of a cord suitable for outdoor use reduces the risk of electric shock.
- **If operating a power tool in a damp location is unavoidable, use a residual current device (RCD) protected supply.** Use of a RCD reduces the risk of electric shock.

## Personal safety

- **Stay alert, watch what you are doing and use common sense when operating a power tool. Do not use a power tool while you are tired or under the influence of drugs, alcohol or medication.** A moment of inattention while operating power tools may result in serious personal injury.

- **Use personal protective equipment. Always wear eye protection.** Protective equipment such as dust mask, non-skid safety shoes, hard hat or hearing protection used for appropriate conditions will reduce personal injuries.
- **Prevent unintentional starting. Ensure the switch is in the off-position before connecting to power source and/or battery pack, picking up or carrying the tool.** Carrying power tools with your finger on the switch or energising power tools that have the switch on invites accidents.
- **Remove any adjusting key or wrench before turning the power tool on.** A wrench or a key left attached to a rotating part of the power tool may result in personal injury.
- **Do not overreach. Keep proper footing and balance at all times.** This enables better control of the power tool in unexpected situations.
- **Dress properly. Do not wear loose clothing or jewellery. Keep your hair and clothing away from moving parts.** Loose clothes, jewellery or long hair can be caught in moving parts.
- **If devices are provided for the connection of dust extraction and collection facilities, ensure these are connected and properly used.** Use of dust collection can reduce dust-related hazards.
- **Do not let familiarity gained from frequent use of tools allow you to become complacent and ignore tool safety principles.** A careless action can cause severe injury within a fraction of a second.

## Power tool use and care

- **Do not force the power tool. Use the correct power tool for your application.** The correct power tool will do the job better and safer at the rate for which it was designed.
- **Do not use the power tool if the switch does not turn it on and off.** Any power tool that cannot be controlled with the switch is dangerous and must be repaired.
- **Disconnect the plug from the power source and/or remove the battery pack, if detachable, from the power tool before making any adjustments, changing accessories, or storing power tools.** Such preventive safety measures reduce the risk of starting the power tool accidentally.
- **Store idle power tools out of the reach of children and do not allow persons unfamiliar with the power tool or these instructions to operate the power tool.** Power tools are dangerous in the hands of untrained users.
- **Maintain power tools and accessories. Check for misalignment or binding of moving parts, breakage of parts and any other condition that may affect the power tool's operation. If damaged, have the power tool repaired before use.** Many accidents are caused by poorly maintained power tools.



- **Keep cutting tools sharp and clean.** Properly maintained cutting tools with sharp cutting edges are less likely to bind and are easier to control.
- **Use the power tool, accessories and tool bits etc. in accordance with these instructions, taking into account the working conditions and the work to be performed.** Use of the power tool for operations different from those intended could result in a hazardous situation.
- **Keep handles and grasping surfaces dry, clean and free from oil and grease.** Slippery handles and grasping surfaces do not allow for safe handling and control of the tool in unexpected situations.
- **Never perform drilling with the machine secured by the vacuum pad only, except when drilling downwards.** If the vacuum is lost, the pad will release from the workpiece.
- **When the drilling through walls or ceilings, ensure to protect persons and the work area on the other side.** The bit may extend through the hole or the core may fall out on the other side.
- **When drilling overhead, always use the liquid collection device specified in the instructions. Do not allow water to flow into the tool.** Water entering the power tool will increase the risk of electric shock.

## Service

- **Have your power tool serviced by a qualified repair person using only identical replacement parts.** This will ensure that the safety of the power tool is maintained.

## Diamond drill safety warnings

- **When performing drilling that requires the use of water, route the water away from the operator's work area or use a liquid collection device.** Such precautionary measures keep the operator's work area dry and reduce the risk of electrical shock.
- **Operate power tool by insulated grasping surfaces, when performing an operation where the cutting accessory may contact hidden wiring or its own cord.** Cutting accessory contacting a "live" wire may make exposed metal parts of the power tool "live" and could give the operator an electric shock.
- **Wear hearing protection when diamond drilling.** Exposure to noise can cause hearing loss.
- **When the bit is jammed, stop applying downward pressure and turn off the tool.** Investigate and take corrective actions to eliminate the cause of the bit jamming.
- **When restarting a diamond drill in the workpiece, check that the bit rotates freely before starting.** If the bit is jammed, it may not start, may overload the tool, or may cause the diamond drill to release from the workpiece.
- **When securing the drill stand with anchors and fasteners to the workpiece, ensure that the anchoring used is capable of holding and restraining the machine during use.** If the workpiece is weak or porous, the anchor may pull out causing the drill stand to release from the workpiece.
- **When securing the drill stand with a vacuum pad to the workpiece, install the pad on a smooth, clean, non-porous surface. Do not secure to laminated surfaces such as tiles and composite coating.** If the workpiece is not smooth, flat or well affixed, the pad may pull away from the workpiece.
- **Ensure there is sufficient vacuum before and during drilling.** If the vacuum is insufficient, the pad may release from the workpiece.

## General safety instructions



**WARNING:** Read the warning instructions that follow before you use the product.

- This product is a dangerous tool if you are not careful or if you use the product incorrectly. This product can cause serious injury or death to the operator or others. Before you use the product, you must read and understand the contents of this operator's manual.
- Save all warnings and instructions.
- Comply with all applicable laws and regulations.
- The operator and the employer of the operator must know and prevent the risks during operation of the product.
- Do not let a person operate the product unless they read and understand the contents of the operator's manual.
- Do not operate the product unless you receive training before use. Make sure that all operators receive training.
- Do not let a child operate the product.
- Only let approved persons operate the product.
- The operator is responsible for accidents that occur to other persons or their property.
- Do not use the product if you are tired, ill, or under the influence of alcohol, drugs or medicine.
- Always be careful and use your common sense.
- This product produces an electromagnetic field during operation. This field can under some circumstances interfere with active or passive medical implants. To decrease the risk of serious injury or death, we recommend persons with medical implants to speak to their physician and the medical implant manufacturer before operating this product.
- Keep the product clean. Make sure that you can clearly read signs and decals.
- Do not use the product if it is defective.
- Do not do modifications to this product.
- Do not operate the product if it is possible that other persons have done modifications to the product.

## Always use common sense

---



**WARNING:** Under no circumstances should you modify the original design of the product without approval from the manufacturer. Always use original spare parts. Unauthorized modifications and/or accessories may lead to serious injury or death to the user or others.

---



**WARNING:** The use of products such as cutters, grinders, drills, that sand or form material can generate dust and vapours which may contain hazardous chemicals. Check the nature of the material you intend to process and use an appropriate breathing mask.

---

It is not possible to cover every conceivable situation you can face when using the product. Always exercise care and use your common sense. Avoid all situations which you consider to be beyond your capability. If you still feel uncertain about operating procedures after reading these instructions, you should consult an expert before continuing.

Do not hesitate to contact your Husqvarna dealer if you have any more questions about the use of the product. We will willingly be of service and provide you with advice as well as help you to use your product both efficiently and safely.

Let your Husqvarna dealer check the product regularly and make essential adjustments and repairs.

Husqvarna Construction Products has a policy of continuous product development. Husqvarna reserves the right to modify the design and appearance of products without prior notice and without further obligation introduce design modifications.

All information and all data in the operator's manual were applicable at the time the operator's manual was sent to print.

## Safety instructions for operation

---



**WARNING:** Read the warning instructions that follow before you use the product.

---

- Do not operate the product unless you can get aid if an accident occurs.
- Do not use the product in bad weather, such as fog, rain, strong winds, intense cold and equivalent conditions. Dangerous conditions, such as slippery surfaces, can occur because of bad weather.
- Look out for persons, objects and situations that can prevent safe operation of the product.
- When the drill points up during operation, always use an applicable container to collect the water.

- Always attach the product to an applicable drill stand before operation. Refer to *Accessories on page 19*.
- Make sure that you always can stop the motor quickly in an emergency.
- Make sure that there are no pipes or electrical cables in the area where the hole will be made.
- If the product does not operate correctly, stop the motor.
- Make sure that you are in a safe and stable position during operation.
- Stay at a distance from the drill bit when the motor is on.
- Do not go away from the product when the motor is on.
- Always disconnect the power cord before you go away from the product.
- Keep all parts in good condition and make sure that all fixtures are correctly tightened.
- If vibrations occur in the product or the noise level from the product is unusually high, stop the product immediately. Examine the product for damages. Repair damages or let an approved service agent do the repair.
- Always use approved accessories. Speak to your dealer for more information.

## Personal protective equipment

---



**WARNING:** Read the warning instructions that follow before you use the product.

---

- Always use correct personal protective equipment when you operate the product. The personal protective equipment does not erase the risk of injury. The personal protective equipment decreases the grade of injury if an accident occurs. Let your dealer help you select the right equipment.
- Use approved eye protection while you operate the product.
- Do not use loose, heavy and not applicable clothing. Use clothes that let you move freely.
- Use approved protective gloves that enables a solid hold.
- Use rubber protective gloves that prevents skin irritation from wet concrete.
- Use an approved protective helmet.
- Always use approved hearing protection while you operate the product. Noise for a long period can cause noise-induced hearing loss.
- The product makes dust and fumes that contain dangerous chemicals. Use an approved breathing protection.
- Use boots with steel toe-caps and non-slip soles.
- Make sure that you have a first aid kit near.
- Sparks can occur when you operate the product. Make sure that you have a fire extinguisher near.

## Safety devices on the product

---



**WARNING:** Read the warning instructions that follow before you use the product.

---

- Never use a product that has faulty safety equipment! If your product fails any checks contact your service agent to get it repaired.
- Do not use the product if protective plates, protective covers, safety switches or other protective devices are not attached or are defective.

### Motor overload protection, Elgard™

The motor overload protection engages if the motor has too high load or the drill bit cannot move freely.

The motor overload protection causes the power from the motor to decrease and increase in short intervals for some seconds. Then, if you do not decrease the force, the motor stops. Refer to *To reset the motor overload protection on page 14*.

### Load indicator

---



**CAUTION:** Product overload again and again can cause damage to the product.

---

The product has LEDs that show the load of the motor. Refer to *LED indications on page 18*.

### PRCD

---



**WARNING:** Not applicable for 110V type sold in United Kingdom and Ireland. United Kingdom and Ireland: Do not operate the 110V type of the product without an isolation transformer, refer to EN/IEC 61558-1 and EN/IEC 61558-2-23. The isolation transformer must have a grounded earth wire on the secondary winding side.

---



**WARNING:** Do not put the PRCD into water.

---



**WARNING:** Before you operate the product, always do a check of the PRCD. Refer to *To examine the PRCD on page 11*.

---

The product has a PRCD installed on the power cord. The PRCD is for protection and engages if an electrical fault occurs. Refer to *Technical data on page 17* for information about at which current the PRCD engages.

The red light shows that the PRCD is on and that the product can be started. If the red light does not show, push the RESET button.

(Fig. 7)

## To examine the PRCD

---



**WARNING:** Not applicable for 110V type sold in United Kingdom and Ireland. Refer to *PRCD on page 11*.

---



**WARNING:** The PRCD must be examined each time the power plug is connected to a power outlet.

---



**WARNING:** If the PRCD must be repaired, always speak to an approved Husqvarna service agent.

---

1. Connect the power plug of the product to a power outlet.
2. Push the "RESET" button. The indicator above the button is red when the current is connected.
3. Start the product, refer to *To start the product on page 13*.
4. Push the "TEST" button. If the product stops, the PRCD operates correctly. (Fig. 8)

### ON/OFF switch

The ON/OFF switch is used to start and stop the product.

(Fig. 9)

### To examine the ON/OFF switch

1. Connect the power plug of the product to the mains.
2. Set the ON/OFF switch to "1" to start the product.
3. Set the ON/OFF switch to "0" to stop the product.

### Friction clutch

The friction clutch is integrated in the gearbox of the product. It prevents damage to the product if the drill bit stops during operation. If the load is too high, the friction clutch is released and stops the drill spindle but keeps the motor on for some seconds. The friction clutch engages again if the load is decreased and the operation can continue. If the drill bit is caught in the material and fully stops, the friction clutch stops the motor immediately.



**CAUTION:** Make sure that the release time of the clutch is not more than 3-4 seconds, because if not wear and heat will increase quickly.

---

## Safety instructions for maintenance

---



**WARNING:** Inspection and/or maintenance should be carried out with the motor switched off and the plug disconnected.

---

- Maintain power tools and accessories. Check for misalignment or binding of moving parts, breakage of parts and any other condition that may affect the power tool's operation. If damaged, have the power tool repaired before use. Many accidents are caused by poorly maintained power tools.
- Keep cutting tools sharp and clean. Properly maintained cutting tools with sharp cutting edges are less likely to bind and are easier to control.
- Have your power tool serviced by a qualified repair person using only identical replacement parts. This will ensure that the safety of the power tool is maintained.

---

## Assembly

---

### Introduction



**WARNING:** Read and understand the safety chapter before you assemble the product.



**WARNING:** To prevent injury, disconnect the power cord and remove the drill bit before assembly.

### To attach the product to a drill stand



**CAUTION:** Read the operator's manual for the drill stand carefully.

- To attach the product to a drill stand, refer to the manual for the drill stand.
- Use only with approved Husqvarna drill stands. Refer to *Accessories on page 19*.

---

## Operation

---

### To do before you operate the product

1. Read the operator's manual carefully and make sure that you understand the instructions.
2. Read the operator's manual for the drill stand carefully and make sure that you understand the instructions.
3. Use personal protective equipment. Refer to *Personal protective equipment on page 10*.
4. Make sure that the nominal voltage in the mains socket is the same as the voltage of the product.
5. Make sure that the work area is clean and bright.
6. Make sure that the product is installed correctly. The drill bit and the drill stand must be attached correctly. (Fig. 10)
7. When you do inverted drilling, make sure that you comply to the applicable instructions. Refer to *To prepare the product for inverted drilling on page 12*.
8. Make sure that the water system is not damaged and that it is connected to the product.
9. Do the daily maintenance. Refer to *Maintenance schedule on page 14*.
10. Make sure that the PRCD is started. Refer to *PRCD on page 11* and *To examine the PRCD on page 11*.

**Note:** Radio transmission by the Bluetooth® function will be enabled on the first time of connection to a power outlet, and stay on after that.

1. Download the Husqvarna Fleet Services iOS or Android app Husqvarna Fleet Services.
2. Go to Husqvarna Fleet Services website <https://fleetservices.husqvarna.com> for more information.

### To prepare the product for inverted drilling



**WARNING:** Always use a slurry ring with a sealing disc and a rubber washer during inverted drilling. Water that enters the product increases the risk of electrical shock.

1. Clean the top of the slurry ring. All grease and dirt must be removed.
2. Attach 2-sided adhesive tape or use spray glue around the top opening of the slurry ring (A). Put the sealing disc on the top opening as a cover (B). Attach it tightly. (Fig. 11)
3. Look for the dimension of the core drill on the top of the drill. (Fig. 12)
4. Cut a hole in the sealing disc in the nearest smaller dimension as the core drill. (Fig. 13)
5. Attach the rubber washer to the quick-release washer on the drill spindle. (Fig. 14)
6. Connect the slurry collector to the connection of the slurry ring. (Fig. 15)

### To use embedded connectivity

**Note:** This part is applicable only for products supplied with embedded connectivity.

- Put the slurry ring on the drill spindle (C). Install the drill bit to the drill spindle (D). (Fig. 16)
- Start the slurry collector.
- Lift the drill bit to the ceiling. Attach the slurry ring to the ceiling. (Fig. 17)

## To connect and open the water supply



**CAUTION:** Make sure that the maximum water pressure is not too high. Refer to *Technical data on page 17*.



**CAUTION:** Use only clean water to prevent that dirt causes a blockage in the water system.



**CAUTION:** Use only an approved water supply coupling. Speak to your dealer for more information.

- Connect the ball valve to the water supply (A). (Fig. 18)
- Open the water system (B). Set the water pressure to remove all waste material from the drill hole.

## To decrease the temperature of the motor

- Operate the product with no load for 2 minutes to decrease the temperature of the motor.

## To change gear



**CAUTION:** Change gear only when the motor decreases in speed or stops. Do not use force to change gear.

- Make sure that you always use the applicable speed for the drill bit diameter. Refer to the rating plate on the product or *Technical data on page 17*.
- Turn the gear selector to change gear. (Fig. 19)

## To use Smartstart™

The Smartstart™ function decreases the speed of the motor. This helps to make a starter hole.

- Start the motor. Make sure that the drill does not touch the material.
- Push the Smartstart™ button (A) one time. The speed is decreased and the first green LED will flash while the Smartstart™ function is on. (Fig. 20)
- Drill a starter hole in the material.
- Push the Smartstart™ button (A) again. The speed is increased back to usual speed.

The speed is automatically increased back to usual speed 1 minute after start of the Smartstart™ function if the Smartstart™ button (A) is not pushed again.

**Note:** Only use the Smartstart™ function to start a hole. The power will be very much decreased if it is used during usual operation.

## To start the product



**WARNING:** Make sure that the drill bit can rotate freely. It starts to rotate when the motor starts.



**WARNING:** If this is the first time the product is started for the day, make sure you make a check of the PRCD. Refer to *To examine the PRCD on page 11*.

- Push the "RESET" button on the PRCD. (Fig. 21)
- To set the operation speed, turn the drill spindle and at the same time move the gear selector. Set the gear selector in the correct position for the operation. (Fig. 22)
- Make sure that the water system is open. (Fig. 23)
- Set the ON/OFF switch to "1". (Fig. 24)

## To operate the product



**WARNING:** If the PRCD engages, remove the drill bit from the hole before you push "RESET".



**WARNING:** Dangerous accidents can occur if the concrete core stays in the drill bit when you remove the drill bit from the hole.



**WARNING:** When you use a drill stand, operate the power tool by the insulated grasping surfaces of the drill stand.



**CAUTION:** Make sure that no objects hit the drill bit.



**CAUTION:** Do not use more force than necessary. This only makes the operation slow and causes overload to the motor.

- Start the motor. Refer to *To start the product on page 13*.
- Let the motor speed increase to the maximum speed before the drill bit touches the surface.
- Push the drill bit into the surface with the feed lever.
- If you drill through iron reinforcements, use more initial pressure and a lower gear than if there were no iron reinforcements.
- Use very small pressure initially to keep the drill bit in correct position.

- During operation, make sure that the water removes all waste material from the drill hole. Adjust the water pressure if it is necessary.
- Stop the motor. Refer to *To stop the product on page 14*.

- Remove the blockage from the drill bit.
- Start the product. Refer to *To start the product on page 13*.

## To replace the drill bit



**WARNING:** Pull out the plug from the mains outlet before you replace the drill bit.

**Note:** Only use diamond drill bits that are approved for your product. Speak to your Husqvarna dealer for more information.

- Make sure that you have got a new drill bit, 2 wrenches and water resistant grease.
- Use the wrenches to remove the drill bit. (Fig. 26)
- Lubricate the tool thread with water resistant grease.
- Use the wrenches to attach the new drill bit.

## To stop the product



**WARNING:** The drill bit continues to rotate for some time after the motor stops. Do not stop the drill bit with your hands. Injuries can occur.

- To stop the product, set the ON/OFF switch to "0". (Fig. 25)
- Wait until the drill bit has fully stopped.

## To reset the motor overload protection

- Stop the product. Refer to *To stop the product on page 14*.

# Maintenance

## Introduction



**WARNING:** Read and understand the safety chapter before you do maintenance on the product.




**WARNING:** To prevent injury, disconnect the power cord before you do maintenance.

## Maintenance schedule

\* = General maintenance done by the operator. The instructions are not given in this operator's manual.

X = The instructions are given in this operator's manual.

O = Speak to a Husqvarna service agent.

Maintenance	Before each use	After each use	Daily	After the first 100 h	After each 300 h
Make sure that movable parts function correctly and move freely.	*				
Make sure the cutting tool is sharp and clean.	*				
Make sure the PRCD functions correctly.	X				
 <b>WARNING:</b> Not applicable for 110V type sold in United Kingdom and Ireland. Refer to <i>PRCD on page 11</i> .					
Examine the power cord, other cables, and the power plug for damage.	*	*			
Make sure the handles and holding surfaces are dry, clean and free of oil and grease.	*	*			
Make sure the product is clean.	X	X			
Examine the shaft seals for damage/water leakage.		X			

Maintenance	Before each use	After each use	Daily	After the first 100 h	After each 300 h
Make sure that the nuts and screws are tight.			*		
Make sure that the ON/OFF switch operates correctly.			X		
Replace the gear oil.				O	
Examine the carbon brushes for damage.					X

## To clean the product



**CAUTION:** Make sure that no water goes into the motor or the gearbox.



**CAUTION:** Do not use running water to clean the product.

- Use a dry or moist cloth to clean the product.
- Remove blockage from all air openings. A blocked air intake decreases the performance of the product and can cause the motor to become too hot.
- Clean and lubricate the spindle shaft thread.

## To do maintenance of the diamond drill bit

- Make sure that the diamond tools segments are sharp. Sharpen blunt diamond segments with a SiC grind stone.
- Make sure that there is no vibration in the drill bit. If there is vibration in the drill bit, the diamond segments can come loose.
- Make sure that the diamond segments are sufficiently larger than the inner and outer diameter of the drill bit tube.
- Lubricate the drill bit thread with water resistant grease. This makes it easy to loosen the tool.

- Make sure that the radial run out at the diamond segments of the drill bit is not more than 1 mm.

## To replace the gear oil



**CAUTION:** If there is gear oil leakage, stop the product and speak to an approved service center. The gear becomes damaged if the gear oil level is not sufficient.

- Let an approved Husqvarna service center replace the gear oil.

## To examine the water connection



**CAUTION:** If there is a leakage of water from the water connection ring, the shaft seals must be replaced immediately.

- Let an approved Husqvarna service center repair the water connection.

## To examine the carbon brushes

1. Remove the 4 screws that hold the cover for the carbon brushes. Use a flat wide screwdriver. (Fig. 27)
2. Examine the carbon brushes. The area of wear must be smooth and not damaged.
3. If it is necessary, let an approved Husqvarna service center replace the carbon brushes.

# Troubleshooting

## Troubleshooting schedule

If you cannot find a solution to your problems in this operator's manual, speak to your Husqvarna service agent.

Problem	Steps to do immediately	Possible cause	Solution
The product does not start when the ON/OFF switch is set to "1".	Set the ON/OFF switch to "0".	If there is a red light on the PRCD, the current is disconnected.	Push the RESET button on the PRCD.  If the PRCD disconnects the current again, speak to an approved Husqvarna service center.
The product stops.		There is a fault with the current source. The current is disconnected by Elgard.	Do a check of the current source.
		The drill bit is blocked. The current is disconnected by Elgard.	Turn the drill bit right and left, use a wrench. Carefully remove the product from the drill hole.
		Too high load causes overload of the motor. The current is disconnected by Elgard.	Make sure that the drill bit can be turned easily in the drill hole.
		If there is a red light on the PRCD, the current is disconnected.	Push the RESET button on the PRCD.  If the PRCD disconnects the current again, speak to an approved Husqvarna service center.
The product does not continue into the surface, decreases in speed and stops.		The diamond segments are blunt.	Sharpen the diamond segments with a SiC grind stone.
Unwanted material collects around the hole during operation.		The water pressure is too low.	Increase the water pressure. Refer to <i>Technical data on page 17</i> .
The diamond segments on the drill bit are pulled out of their bond.		There are much vibration in the product during the operation.	Use correct load when you operate the product.
There is leakage of gear oil.		Sealings are worn out and must be replaced.	Speak to an approved Husqvarna service center.
There is leakage of water from the hole on the water connection ring.		The shaft seals are defect.	Speak to an approved Husqvarna service center. Make sure to always use clean water.
The product does not operate smoothly.	Decrease the force.	Too high load causes overload of the motor.	Use less force when you drill.

---

## Transportation and storage

---

- Pull out the plug from the power outlet before transportation or storage of the product.
- Keep the product in a locked area to prevent access for children or persons that are not approved.
- Remove the drill bit before transportation or storage of the product. This is to prevent damage to the product and the drill bits.
- Keep the product in a dry and frost-free area.
- Safely attach the product during transportation to prevent damage and accidents.



## Technical data

### Technical data

Data	DM400			DM430		
<b>Motor</b>						
Electrical motor	Single-phase			Single-phase		
Rated voltage, V	100-120, 110, 220-240			100-120, 110, 220-240		
Rated power, W	3200			3200		
Rated output, W	2300			2300		
Rated frequency, Hz	50-60			50-60		
<b>Rated current, A</b>						
100-120V (US, JP)	20			20		
110V (UK, Ireland)	30			30		
220-240V	15			15		
<b>PRCD current, A</b>						
100-120V (US, JP)	6 mA			6 mA		
220-240V	10 mA			10 mA		
<b>Drill bit</b>						
Max. drill diameter in concrete, mm/inch	350/14			450/18		
Min. drill diameter in concrete, mm/inch	55/2			100/4		
<b>Weight, kg/lb</b>	13.5/29.8			14.2/31.3		
<b>Water cooling</b>						
Water coupling	Gardena			Gardena		
Maximum water pressure, bar	3			3		
<b>Tool connection</b>						
Spindle thread, JP/SE/RoW	A-Rod/CRI 28/1 1/4" G			A-Rod/CRI 28/1 1/4" G		
<b>Dust and slurry</b>						
Drill bit diameter to use a slurry ring, mm/inch	50-350/ 2-13.8			50-350/ 2-13.8		
<b>Operating data</b>						
Gear	1	2	3	1	2	3
Speed spindle, idle, full load, rpm	230	460	720	150	300	470
Speed spindle, idle, no load, rpm	420	820	1250	250	510	800

Data	DM400			DM430		
Drill diameter in concrete, mm/inch	165-350/ 6.5-14	80-160/ 3-6	55-105/ 2-4	250-450/ 8-18	125-250/ 5-10	100-160/ 4-6
Recommended water volume, l/min	1.7-2.4	1.1-1.6	0.9-1.3	2.0-2.5	1.5-2.0	1.2-1.6

## Embedded connectivity

**Note:** This part is applicable only for products supplied with embedded connectivity.

BLE technology radio spectrum	DM400	DM430
Frequency bands for the tool, GHz	2.402-2.480	2.402-2.480
Maximum radio-frequency power transmitted, dBm/mW	4/2.5	4/2.5

## LED indications



**CAUTION:** Overload again and again can do damage to the product.

Indication on the product	Cause	Possible solution
1 green LED.	The tool is connected to mains voltage and can be used.	N/A
	Power output is less than 50% of available output power.	
2 green LEDs.	Power output is between 50% and 65% of available output power.	
3 green LEDs.	Power output is between 65% and 80% of available output power.	
3 green LEDs and 1 yellow LED.	Maximum power output. Power output is more than 80% of available output power.	
3 green LEDs, 1 yellow LED and 1 red LED.	There is a system overload.	Decrease the load to prevent start of the Elgard™ motor overload protection.
All LEDs flash.	Elgard™ motor overload protection is started.	Decrease the load to go back to correct operation.
	Elgard™ motor overload protection has stopped the motor.	Refer to <i>To reset the motor overload protection on page 14.</i>
1 green LED flashes.	Smartstart™ is started.	Refer to <i>To use Smartstart™ on page 13.</i>

---

## Accessories

---

### Accessories

Accessory	DM400		DM430	
	Securing by vacuum pad: OK	Other securing: OK	Securing by vacuum pad: OK	Other securing: OK
Drill stand DS 500	OK	OK	OK	OK
Slurry ring*	OK	OK	OK	OK
Sealing disc*	OK	OK	OK	OK
Rubber washer, part number 598 72 14-01	OK	OK	OK	OK
* Contact you local service agent for more information				

---

## Service

---

### Approved service center

To find your nearest Husqvarna Construction Products approved service center, go to the web site [www.husqvarnacp.com](http://www.husqvarnacp.com).

---

## Registered trademarks

---

The *Bluetooth*<sup>®</sup> word mark and logos are registered trademarks owned by *Bluetooth SIG, inc.* and any use of such marks by Husqvarna is under license.